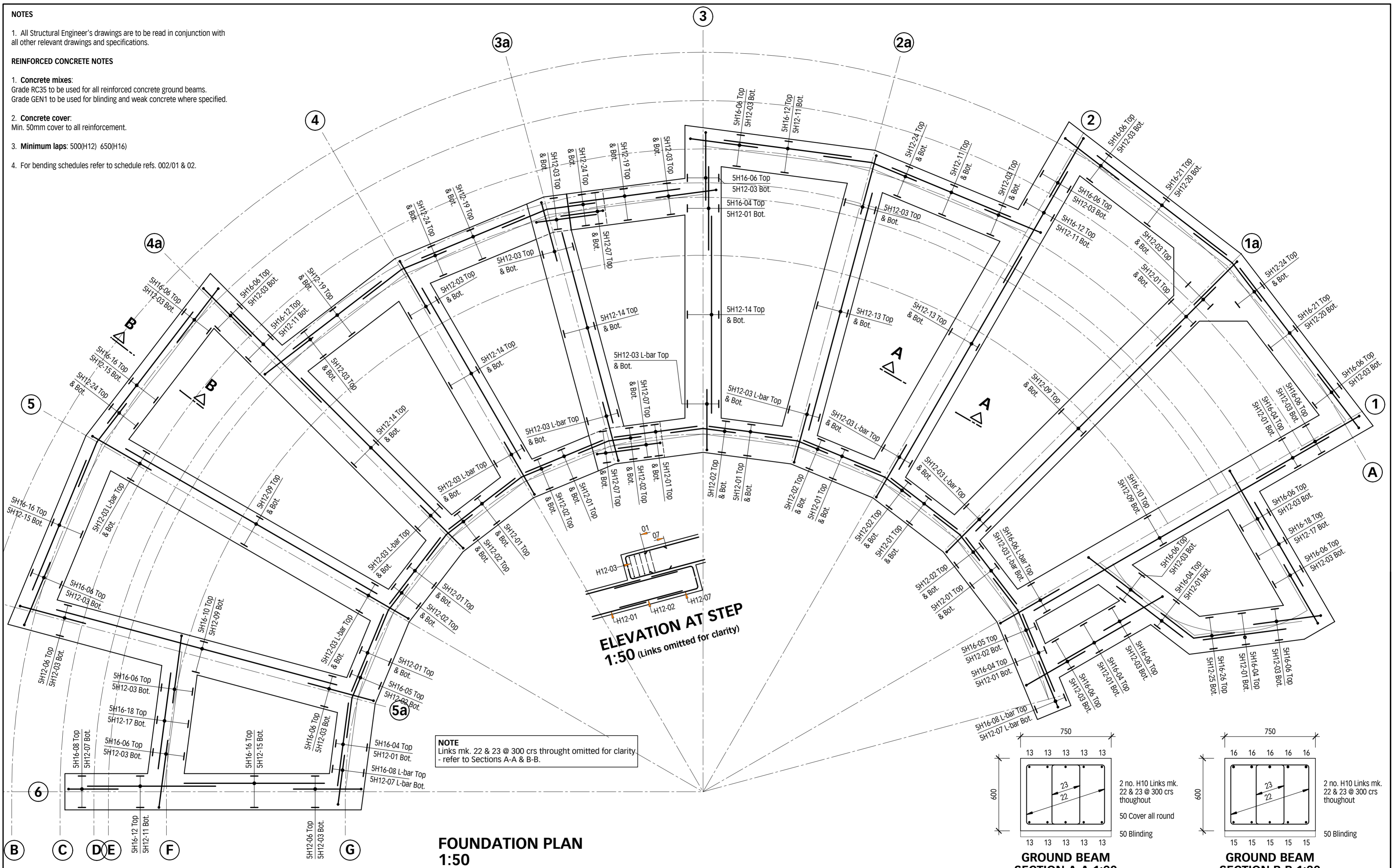


**NOTES**

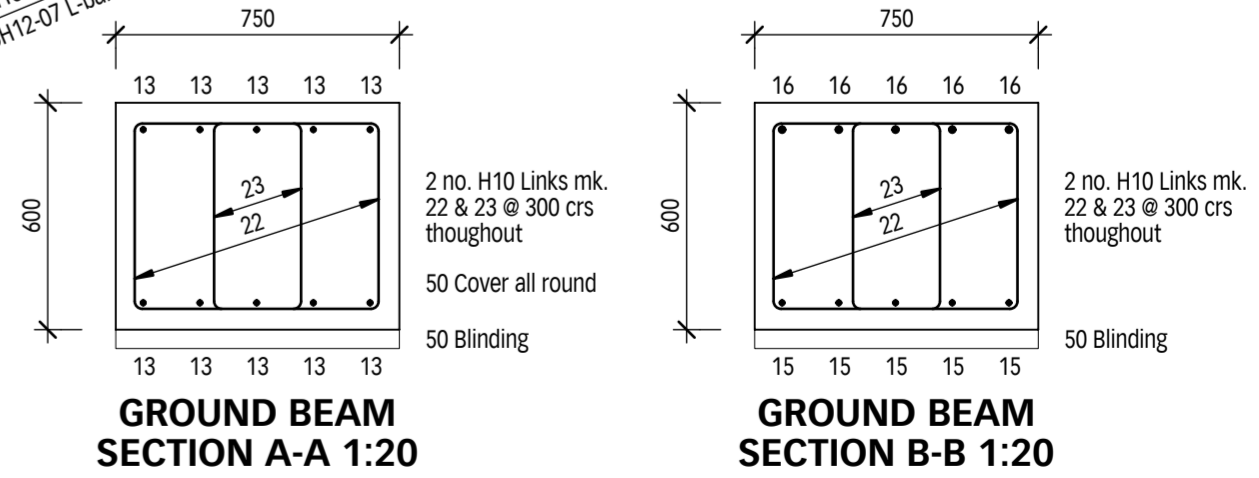
1. All Structural Engineer's drawings are to be read in conjunction with all other relevant drawings and specifications.

**REINFORCED CONCRETE NOTES**

- Concrete mixes:**  
Grade RC35 to be used for all reinforced concrete ground beams.  
Grade GEN1 to be used for blinding and weak concrete where specified.
- Concrete cover:**  
Min. 50mm cover to all reinforcement.
- Minimum laps:** 500(H12) 650(H16)
- For bending schedules refer to schedule refs. 002/01 & 02.




**NOTE**  
Links mk. 22 & 23 @ 300 crs throughout omitted for clarity - refer to Sections A-A & B-B.



**FOUNDATION PLAN 1:50**

**GROUND BEAM SECTION A-A 1:20**

**GROUND BEAM SECTION B-B 1:20**

Rev	Description	Date	Client	<p>The Brewery Hook Norton, Banbury Oxon., OX15 5NY Tel: 0845 241 4705 Fax: 0845 241 5074 sean@solid-structures.com www.solid-structures.com</p>  <p><b>SOLID STRUCTURES</b> consulting structural engineers</p>	Project title	<p><b>New Dwelling Tobermory, Peppard Lane Henley-on-Thames</b></p>	Drawing	<p><b>RC Details FOUNDATION PLAN</b></p>	By	Date	Checked	Date
			<p><b>Hamilton Properties Limited</b></p>						<p>SCD</p>	<p>May 10</p>		
									Scale	Job Number		
									1:50, 1:20 @ A2	H472		
									Drawing Status	Drawing Number		
									Building Regs	02-		